



ENGTECH

engineering technology

شركة أنج تك للتجارة العامة والمقاولات.

EngTech General Trading & Contracting Co.



شركة أنج تك للتجارة العامة والمقاولات.

COMPANY PROFILE 2020



TABLE OF CONTENT

GENERAL INFORMATION	03
INTRODUCTION	04
OUR VISION & MISSION	05
ORGANIZATION CHART	06
OUR CLIENT'S & PARTNERS	07
QUALITY, HEALTH, SAFETY & ENVIRONMENT POLICIES (QHSE)	08
GENERAL TRADING	09
AGGREGATE SAND	11
DEVELOPMENTS AND MILESTONES	
RUBBER MATERIAL	13
CIVIL ENGINEERING	15
ELECTROMECHANICAL MEP	16
HEAVY EQUIPMENT	18
POWER SAVING (APPS)	20
ELECTRICAL INSTRUMENT	22
MECHANICAL ENGINEERING	24
LICENCES, CERTIFICATES.	26

GENERAL INFORMATION

We have what it takes to be great. Shared values that we live, a well-understood and effective culture, a time-tested business model. A proven strategy and goals, an operating philosophy, Sustainable competitive advantages. The know-how to execute well. Most of all: great people Our formula for greatness starts and ends with people: "Mind share plus heart share equals market share."



have proved that the traditional method of Construction in the New Economy must now give way to the "Solution" way of carrying on the business. In our quest to jump to the 21st century and to increase our value between the clients satisfaction, we have acquired new technologies to spur our Company's future growth. To this end, we have deployed leading edge high standard fully integrated Power saving solution to complement our forward-looking Power saving strategy.

Prefer to clarifying roles to improve effectiveness and reduce conflicts, acting as a front line at times and behind the scene at other times, putting the employees touch to make sure that employees are fairly treated and given a proper chance. I enjoy feeling connected and putting to use how I am as well as what I know.

Khaled Al-Shammeri
C.E.O

INTRODUCTION

Business Concept

As electrical power becomes ever more important to the world, EngTech provides customers with products and services that ensure that they can access that power reliably, efficiently and in an environmentally friendly manner.

With the proven performance record in KUWAIT, Kingdom of Saudi Arabia and in many other countries, EngTech competitive is to provide the innovative, reliable, and environmentally-friendly Engineering Systems Solutions to the customers supported by the world class quality management system and environmentally Friendly as well.

Company History :

Founded in 1996 in Kuwait and 2007 in Saudi Arabia, EngTech signed a partnership Agreement with Basant Tech, STX, Beta Tek & Frako Companies and expanded the business, Turn Key Construction Solutions base to become the global player in sustainable, Power Plant & Construction Contractor. We are specialist in the design, build and supply the solutions in the industrial, commercial as well as the residential. Most important strengths and core competencies: What factors will make the company succeed? What are your major competitive strengths? What strengths do you personally bring to the business?

Significant challenges the company faces now and in the near future:

To be the world's premier Engineering Solution Provider Company in Kuwait & Middle East



and focus on convenient saving with flexibility.

We seek to produce saving rewards to clients as we provide opportunities for growth of saving and enrichment to our System, our clients and the communities in which we operate. In addition, in everything we do, we strive for honesty, fairness and integrity.

OUR VISION & MISSION

Our Vision

To be the world's premier Contracting Company in Kuwait focused on convenient saving with flexibility. We seek to produce saving rewards to clients as we provide opportunities for growth of saving and enrichment to our System, our clients and the communities in which we operate. In addition, in everything we do, we strive for honesty, fairness and integrity.

Our Mission

Our Mission to move the Company to be a regional player is being met due to the many significant, yet progressive, changes within our Establishment. In embracing the "Energy saving" model, we have been able to provide our window to the world with our best Solution Provider.

What We Do

The Kuwait's specialist in energy saving Solution Systems.

We know that energy demand will skyrocket. We also know that industry, buildings and residential markets cause more than 40% of GHG emissions. We provide energy efficiency solutions can bring up to 30% of energy savings now.

In the current economic environment, EngTech understands how important it is to be systematic, practical and cost effective. When we help clients to solve problems, we look at the total overall picture, not just at the engineering content. By taking such an approach EngTech has successfully assisted many clients to implement Solutions that have resulted in huge savings, without disrupting their existing business operations.

Objectives

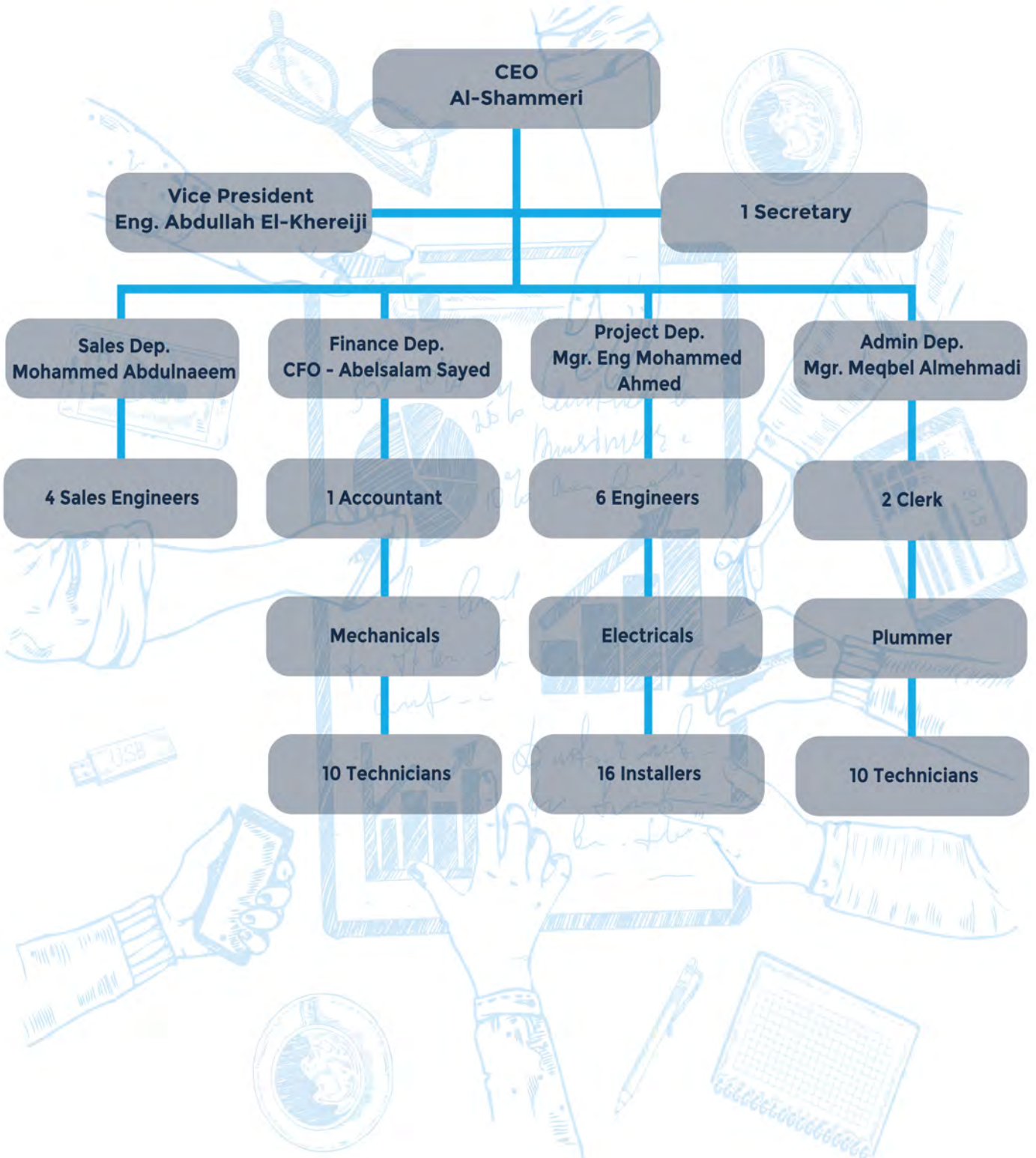
- improve service level to Customer's satisfaction.
- Make company financially more credible and profit oriented.
- Run each business unit of the company within its means & resources.
- Improve company's Financial and Management control by introducing on-line integrated Automated system. To display information and to generate reports on real time basis.

Key to Success

- High Technology
- Product
- Selected Technical Team on best calibre

ORGANIZATION CHART

EngTech's Technical & Functional Team is Consisted on highly qualified staff



OUR CLIENT'S & PARTNERS

EngTech's has a wonderful record of serving its customers with excellent Projects. Giving Top Priority to customers interest is attributed to our growth and success. The referenced list of our customers stands as a proof of our exceptional work and service. We maintain the highest quality in our services and supplies. Our efforts in improvising the services and quality to the Construction and Oil & Gas industry would be unconditional and continuous.

CLIENT'S

 <p>شركة نفط الكويت Kuwait Oil Company مؤسسة الكويت للتقانة البترولية A Subsidiary of Kuwait Petroleum Corporation</p>	 <p>شركة البترول الوطنية الكويتية KNPC مؤسسة الكويت للتقانة البترولية A Subsidiary of Kuwait Petroleum Corporation</p>	 <p>وزارة الكهرباء والماء Ministry of Electricity & Water دولة الكويت - State of Kuwait</p>
 <p>وزارة الأشغال العامة MINISTRY OF PUBLIC WORKS</p>	 <p>الكويت - KUWAIT Public Authority for Roads and Land Transport الهيئة العامة للطرق و النقل البري</p>	 <p>KIPIC البترولية المتكاملة</p>

PARTNERS

 <p>Basant For Trading & New Tech</p>	 <p>BETA TEK CONSTRUCTION</p>	 <p>STX Corporation</p>
 <p>FRAKO</p>	 <p>thyssenkrupp</p>	 <p>ELTES ENERJI MÜHENDİSLİK LTD. ŞTİ.</p>

QUALITY, HEALTH, SAFETY & ENVIRONMENT POLICIES (QHSE)

A pioneering spirit and the will to achieve those are qualities that drive our history of success.

Superior quality, comprehensive service and careful project management are what define us and what underlines our long-standing partnerships with energy providers and the electrical industry.

The Fundamental Site Safety Rules represent minimum working standards to be observed in all operations. The safety rules neither Quality, Health, Safety & Environment Policies (QHSE) restrict nor relieve us from developing additional practices or procedures in compliance with the fundamental safety rules to improve safety, health, protection of the environment and personnel. The fundamental safety rules seek to promote continuous improvement of working conditions at site.

Energy Solutions has established a group-wide practice of setting and maintaining the highest possible QHSE Standards, while giving equal value with other business objectives without compromise.

The group's mandate to exceed the needs and expectations of the Customers, employees and stake holders, requirements and continually improve the effectiveness of Health, Safety and Environment Management System is achieved by

- ✔ Complying strictly with all legally mandatory and internationally accepted work practices for the protection and promotion of health, safety and environment.
- ✔ Defining clear strategic and operational goals and objectives.
- ✔ Providing and maintaining a healthy and safe work place as well as to protect the environment at all times.
- ✔ Communicating and monitoring compliance with the group's ethics and practices providing competent manpower and suitable resources.
- ✔ Performing frequent audits to ensure that the QHSE policy is effectively implemented within the group organization.
- ✔ Regular performance measurements, analysis and inductions.
- ✔ Continuously upgrading.

GENERAL TRADING

EngTech is a General trading company in Kuwait.

We established longer and closer working relationships with our clients and supplier not only provide immediate and reliable service but to continually exceed expectations and goals.

We create commercial flows, import and export products, arranging and managing international projects with our partners.

Supported our network, we can integrate all these functions with our fruitful experience. Our numerous competencies allow us to respond to the needs of industries looking for a new market.

We look forward to welcoming anyone work to develop and enhance your current business in Kuwait.

We create commercial flows, import and export products, arranging and managing international projects with our partners.

Supported our network, we can integrate all these functions with our fruitful experience. Our numerous competencies allow us to respond to the needs of industries looking for a new market.

We look forward to welcoming anyone work to develop and enhance your current business in Kuwait.

- ✔ To meet the increasing and diversified demands of the customers.
- ✔ Being market leaders in defend market segments.
- ✔ Providing quality products & reliable services and sourcing from reputed Manu factures.
- ✔ Becoming professional marketing partners for our principals to meet the objectives of sales, market information, and customer service.
- ✔ Being the preferred supplier of our customers, with our products exceeding their quality requirements.
- ✔ Giving timely information to the customers regarding trends of the market

GENERAL TRADING

HOW WE ADD VALUE:

EngTech focus is to foster growth and promote enduring business ties with its client. Customer responsiveness and commitment is the driving force in the quest for excellence.

An effective supply chain manager - Right from sourcing supply of material at the doorstep of the customer.

EngTech's trade involves the transfer of goods or services from one person or entity to another, often in exchange for money. Economists refer to a system or network that allows trade as a market.

EngTech works in trade and barter. Trade saw the direct exchange of goods and services for other goods and services. Barter involves trading things without the use of money. When either bartering party started to involve precious metals, these gained symbolic as well as practical importance. Modern traders generally negotiate through a medium of exchange, such as money. As a result, buying can be separated from selling, or earning. The invention of money (and later of credit, paper money and non-physical money) greatly simplified and promoted trade.

EngTech's trade exists due to specialization and the division of labor, a predominant form of economic activity in which individuals and groups concentrate on a small aspect of production, but use their output in trades for other products and needs. Also, exists between regions because different regions may have a comparative advantage (perceived or real) in the production of some trade-able commodity—including production of natural resources scarce or limited elsewhere.

Retail trade consists of the sale of goods or merchandise from a very fixed location, in small or individual lots for direct consumption or use by the purchaser. Wholesale trade is defined as traffic in goods that are sold as merchandise to retailers, or to industrial, commercial, institutional, or other professional business users, or to other wholesalers and related subordinated services.

AGGREGATE SAND DEVELOPMENTS AND MILESTONES

EngTech Company is one of the leader Companies in the General Trading and Contracting, we are working in that field since 1996, and we had success in building a powerful name in the market with a respect of all other competitors, that we are considered as one of the key players in Kuwait Market. Our Company has three divisions the sand dig



We have the license of two sites in Jahra one of them with space of 50,000 Square Meter. We are utilizing one site to dig for sand, and one for installing sand washing planets from the Ministry of Commerce. We are capable to provide our customers with all types of sand which is following the Kuwait specifications.

Sand Screen Location

We are having nine sand washing plant installed and working. The aim of the sand washing Planets is to reduce the salt from the screened sand to the acceptable range. Our washed sand is approved by the PWM. We have all the certificates which show that our sand is clean and is acceptable for all the governmental projects.

AGGREGATE SAND DEVELOPMENTS AND MILESTONES

SAND WASHING PLANET

Also we have the license that give us the ability of importing and exporting from any country outside Kuwait, so we are importing the different Spare Parts for the Heavy Duty Earth Moving Machines to sell it in the Kuwaiti Market. We are selling it for different customers here in Kuwait. We are capable to provide our customers with the aftermarket Spare Parts for the CDE, Caterpillar Machines and all our items are guaranteed and tested.

Our sales reaching over Two Million KD per year, which is a result of our study for the Kuwait market, our experience and good relations with the customers. We are hoping to improve our sales and to become more capable to satisfy our valuable customers.



RUBBER MATERIAL

Overview

We Carry Residential And Commercial Rubber Flooring Designed For Multiple Uses. You Can Create A Durable, Safe, Quiet, Comfortable, And Protective Floor Covering Within Minutes. We Carry Both Interlocking Rubber Tiles And Rubber Flooring Rolls. Our Rubber Flooring Is Ideal For Any Indoor Sports Facility. Create A Safe Environment By Using Shock Absorbent And Durable Rubber Flooring In Your Sports Facility, Commercial Gym, Or Home Gym. Increase the Longevity of Your Rubber Flooring With Our Rubber Flooring Cleaner, And Finisher & Sealer Options. Our Rubber Flooring Rolls And Interlocking Tiles Will Improve Your Walkways, Entrances, Gyms, Workout Rooms, Basements, Office Buildings And More.

Our dedication to the ecosystem is an important part of our business ethos. Driven by this mission, we have invested in state of the art European origin machinery to find effective quality solutions and applications to recycle used.

Our Product



Rubber Tile



Rubber Flooring Rolls



Rubber Gym Tiles



Pyrolysis Oil



Rubber Powder



Rubber Farm

RUBBER MATERIAL

Our environment

EngTech Recycling specializes in responsible end of life Tyre disposal and recycling. We reprocess car, truck and agricultural Tyres, providing a hassle free, convenient and cost-effective service. We can cover all of Kuwait , fleet and trucks can carry waste, used, and damaged Tyre and delivered it to the processing plant. Our specialist Tyre shredding equipment turns your scrap Tyre's into material suitable for a variety of recreational and industrial purposes.



CIVIL ENGINEERING

EXCELLENT & HIGHLY EFFICIENT GROUP FOR :

Execution of all types of Buildings on Turnkey basis or only structure including institutional, commercial and residential low and high-rise structures.

Our team comprises of Engineers, Administrators, Foremen, skilled and unskilled workers. All are sufficiently qualified & experienced and ensure high productivity and outstanding performance. To strengthen our workforce, we have fleet of modern construction machineries and equipment's with quality technical support. The quality of work is regularly evaluated and improved to the satisfaction of our clients and consultants.

Our engineering expertise include:

EngTech is committed to providing high quality professional services in Engineering design, management, civil construction, electrical and mechanical installations and ensure total customer satisfaction at every phase of the project development.

- ✓ Asphalt Concrete Surfacing.
- ✓ Plants and Equipment Platforms.
- ✓ Construction of Jetties.
- ✓ Industrial Buildings.
- ✓ Institutional Building (e.g. School, hospitals, Research Institutes etc.).
- ✓ Surface Dressing.
- ✓ Drainage Systems.
- ✓ Dams and Retaining Walls.
- ✓ Domestic Building.
- ✓ Swimming Pool.



ELECTROMECHANICAL MEP

EXCELLENT & HIGHLY EFFICIENT GROUP FOR :

The Company has developed in course of 12 years as an excellent and highly efficient group for the fabrication, erection and maintenance of mechanical equipment and piping works. We have a well-equipped fabrication workshop in Kuwait, support of good quality equipment along with highly energetic and motivated manpower. Our clients vary from Power, Water and Oil sector to Cement Petrochemical and other utility services.

Today EngTech is moving forward to Alliance with the leading EPC Contractors in major pipeline projects, major Equipment, plant installation & Operation and maintenance projects.

- ✔ Fabrication.
- ✔ Erection & Maintenance.
- ✔ Mechanical Equipment.
- ✔ Mechanical Contractor, Oil & Gas Contractor.
- ✔ Piping.
- ✔ Painting.
- ✔ Sandblasting.
- ✔ Scaffolding Works.



ELECTROMECHANICAL MEP

EngTech understands the core areas, like the mechanics, kinematics, thermodynamics, material science, and structural analysis. we at engtech, apply cad and life cycle management to design and analyze manufacturing, industrial equipment & machinery, heating & cooling systems etc:

- ✔ Material Engineering & Composites.
- ✔ Monopole Tower Erection.
- ✔ Steel Structure Erection.
- ✔ Scaffolding Erection & Rental.
- ✔ Heat Transfer Fuels & Combustion.
- ✔ Erection & Maintenance of Mechanical Equipment's.
- ✔ Thermodynamics.
- ✔ Pipe Fabrication.
- ✔ Sandblasting.
- ✔ Piping Tank Erection.
- ✔ Tank Maintenance.
- ✔ Vessel Tube Cleaning.

HOW WE ADD VALUE:

EngTech engineers are up to date by the latest electromechanical systems technology of the buildings services, these systems are briefed in the fields of Plumbing, Fire Fighting, Fire Alarm, Smoke Systems, HVAC and other electromechanical works, With our highly dedicated, skilled and qualified workforce monitored by a team of experienced professionals in the area of expertise, to ensure optimal performance for the fabrication, erection and maintenance of mechanical equipment and piping works.

HOW WE ADD VALUE:

Maintenance Works

- ✔ Residential Building Services.
- ✔ Commercial Building Services.
- ✔ Infrastructure.
- ✔ Industry.
- ✔ Air Fans.
- ✔ Cooling Towers.

Hvac Works

- ✔ TALL TYPE OF A/C UNITS.
- ✔ HVAC PUMPS.
- ✔ CHILLED WATER PIPING WORKS.
- ✔ CHILLER SYSTEMS.
- ✔ DUCT SYSTEMS.
- ✔ AHU'S & FCU'S.

HEAVY EQUIPMENT

**Browsing for a new excavator, dozer, or any other construction equipment?
Are you looking to sell your equipment?
Please tell us about any equipment you're interested in buying or selling**

We Pride ourselves in personal relationships with our customers, from those down the street to those around the world. Whether you are in Texas or across the country, know your construction needs are in good hands with our dedicated team.

EngTech Co. is the first choice for buying or selling used construction equipment. Our experience and knowledge provides strong value to local contractors and large equipment fleets around the world.



We can provide machines delivered to your door throughout the united states and internationally.

If we don't have the machine you are looking for in inventory, we can assist in locating, purchasing, and shipping the machine you need through our vast array of industry professionals. Downtime is costly, so don't let logistics prevent you from getting back up and running.

We successfully assist a variety of customers in commercial, residential, industrial, agricultural, and municipal industries. Our equipment fleet includes a wide range of excavation equipment to help with your project.

KOMATSU



JOHN DEERE

HEAVY EQUIPMENT

EQUIPMENT AVAILABLE FOR SALES:

We strive to deliver the best value in the used equipment industry by providing a fair deal and putting our customers first.

We provide equipment sales, rentals, and parts to keep your projects moving forward.



Backhoe Loader



Pay Loader



Bulldozer



Excavator



Soil Compactor



Roller



Man Lift



Crawler Crane



Rafter Crane



Dump Truck



Trailer



Generator

POWER SAVING (APSS)

APSS SYSTEM

With the world growth and development, the problem of limited power became apparent.

Limited energy became one of the main problems that scientists, engineers, and institutions worldwide worked to overcome.

As it is known, electrical consumption operates mainly on Alternating Current (AC).

Today, EngTech presents the latest breakthrough in power saving systems, the APSS (Active Power Saving System).



- ✔ Reduce 20% to 40% of electricity consumption.
- ✔ Reduce electrical current at your firm.
- ✔ Immediate results on your first month electricity bill.
- ✔ Tested by multinational firms in Europe and Middle East.
- ✔ Rapid return on investment.
- ✔ One unit will work on whole circuit at your firm.

Research and Development

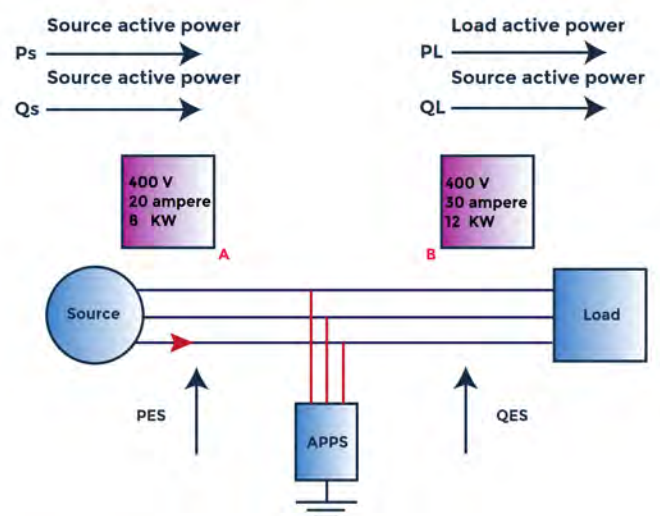
APSS is the result of 15 years research and development in the field of energy saving. When applied to an electrical network, APSS reduces the amount of consumed active power and hence the operational cost of fuel and equipment.

APSS reduces the amount

When applied to an electrical network, APSS reduces the amount of consumed active power and hence the operational cost of fuel and equipment.

APSS reduces the amount

APSS solves common network problems as illustrated in the following table:



The APSS capacitors generate negative resistance that affects the reactive power in the current and turns it into Active Power, thus as a power source in the current.

POWER SAVING (APSS)

- ✔ Contracted electricity bills, or the cost of power production (Fuel, Equipment usage etc.) , where applicable.
- ✔ The inefficiency of the Power Factor Correction Panels.
- ✔ The presences of Harmonics which adds losses and causes problems in the network.
- ✔ The unbalance of loads that leads to the increase of the current that goes through the neutral cable.
- ✔ Voltage drops and instabilities.
- ✔ APSS provides a saving between 20% and 40% of the consumed active power without affecting the load, rendering a saving of the same percentage on energy subscription/ production costs.
- ✔ APSS achieves the best power factor relative to the load without additional modifications.
- ✔ APSS treats in most applications the harmonics without adding additional components to the network.
- ✔ APSS balances the network loads and provides efficient load-sharing, therefore minimizing the current going through the neutral cable.

Testimonials “Installing APSS System”

The cable losses are proportional to the square of the current value (this squared value is added to the counters readings of the KW. hr), i.e.: reducing the consumed current by 20% reduces significantly the cable losses. General compensation could be applied for a group of loads or a complete network by installing the system on the main feeders' bus bars as long as the network is stable.

This application is recommended when the loads of the network are not stable or are allocated away from each other. Basant Tech carries a site inspection and loads studies then recommends the best solution to the client.



ELECTRICAL INSTRUMENT

EXCELLENT & HIGHLY EFFICIENT GROUP FOR :

EngTech's Electrical & Instrumentation division has significant experience in delivering complete electrical and automation projects to major operators around the Kuwait & Saudi Arabia Kingdom & Qatar, onshore and offshore. Our clients include world-leading companies from the chemicals, oil & gas and energy industries. We understand the challenges these industries face today: they need to reduce operational costs, maximize uptime and optimize maintenance efficiency.

Our integrated services allow EngTech to manage every aspect of a complex workscope or project, including project management, planning, design and engineering, material procurement, equipment testing, installation and commissioning. Ongoing inspection and maintenance is delivered by multi-skilled project teams, improving project efficiency.

The EngTech Electrical & Instrumentation project teams provide a range of support functions including drawing modifications, work pack production and material procurement. When needed, we integrate complementary services from across the EngTech Co, such as rope access, scaffolding, plant, machinery and manpower resourcing, to ensure tailor-made solutions for your specific project requirements.



ELECTRICAL INSTRUMENT

HOW WE ADD VALUE:

EngTech's Electrical & Instrumentation division is a versatile division, equipped with highly skilled manpower, energetic and experienced supervisory staff and good quality of equipment, precision tools and instruments.

- ✔ Complete life-cycle services: design, execution, service & maintenance, calibration and validation.
- ✔ 400, 300, 132, 33 & 11 kV Sub-Stations including erector.
- ✔ SHV Gas Insulated Switchgears (GIS) 400, 300 & 132 kV.
- ✔ Transformer Installation.
- ✔ MV/LV Switchgears - 33/11 kV.
- ✔ Shunt reactors 20MVAR, 45 MVAR.
- ✔ Power and Control cables Laying, Termination & Earthling.
- ✔ Generators and its accessories.
- ✔ Electric and pneumatic Actuators.
- ✔ Cable Trays.
- ✔ Street lighting.
- ✔ Low Voltage & Security System, Fire alarm and Data Networking.
- ✔ Telecommunication Towers.
- ✔ Other Substation Equipment.



MECHANICAL ENGINEERING

EXCELLENT & HIGHLY EFFICIENT GROUP FOR :

The Company has developed in course of 12 years as an excellent and highly efficient group for the fabrication, erection and maintenance of mechanical equipment and piping works. We have a well-equipped fabrication workshop in Kuwait, support of good quality equipment along with highly energetic and motivated manpower. Our clients vary from Power, Water and Oil sector to Cement Petrochemical and other utility services.

Today EngTech is moving forward to be one of the leading EPC Contractors in major pipeline projects, civil works, major Equipment, plant installation & Operation and maintenance projects.

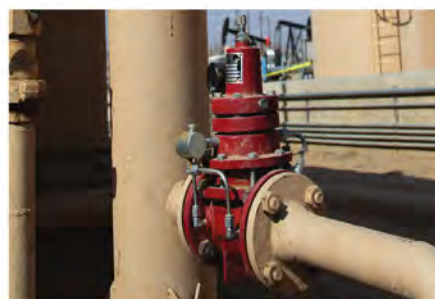
- ✔ FABRICATION,
- ✔ ERECTION & MAINTENANCE OF:
 - MECHANICAL EQUIPMENT.
 - PIPING.
- ✔ MECHANICAL CONTRACTOR, OIL & GAS CONTRACTOR.
- ✔ PAINTING.
- ✔ SCAFFOLDING WORKS.
- ✔ SANDBLASTING.



MECHANICAL ENGINEERING

EngTech UNDERSTAND THE CORE AREAS, LIKE THE MECHANICS, KINEMATICS, THERMODYNAMICS, MATERIAL SCIENCE, and STRUCTURAL ANALYSIS. WE AT EngTech, APPLY CAD AND LIFE CYCLE MANAGEMENT TO DESIGN AND ANALYZE MANUFACTURING, INDUSTRIAL EQUIPMENT & MACHINERY, HEATING & COOLING SYSTEMS ETC:


- ✔ Material Engineering & Composites.
- ✔ Thermodynamics.
- ✔ Heat Transfer Fuels & Combustion.
- ✔ Fluid Mechanics.
- ✔ Fabrication.
- ✔ Sandblasting
- ✔ Erection & Maintenance of Mechanical Equipment's.
- ✔ Pipe Fabrication.
- ✔ Vessel Tube Cleaning.
- ✔ Tank Maintenance.
- ✔ Monopole Tower Erection.
- ✔ Piping Tank Erection.
- ✔ Steel Structure Erection.
- ✔ Scaffolding Erection & Rental.



LICENCES, CERTIFICATES.



LICENCES, CERTIFICATES.



دولة قطر
وزارة الأعمال والتجارة
إدارة التسجيل والتراخيص التجارية

مستخرج ببعض بيانات السجل

التاريخ: 20110505 صلحة رقم: 1 من 2

رقم السجل التجاري	50543
الاسم التجاري	خمسة هراد الطفري للمقاولات
تاريخ نشأة السجل:	20110505
تاريخ انتهاء السجل:	20130505
نوع التأسيس	فرد
جنسية الشركة	قطر
نوع السجل	سجل تجاري
الهيكل	ص.ب : 55521 رقم الهاتف: 44476353
رأس المال	1000000


الشركاء

(هيئات أجنبية)

الاسم	الجنسية	الرقم التجاري	النسبة
شركة اتح لتجارة العمه والمقاولات	الكويت	328622	49.00

(هيئات اعتبارية)

الاسم	الجنسية	الرقم التجاري	النسبة
الاهجر للتعاقدات	قطر	49505	51.00



قسم السجل التجاري



وزارة التجارة والصناعة
إدارة شركات الأشخاص

إجازة شركة معلومة بموجب قانون التجارة رقم 2 لسنة 1991 وقانون الشركات رقم 15 لسنة 1991 والقوانين المعدلة له وقانون الرخص التجارية رقم 22 لسنة 1991

رقم الترخيص: 2000/2295/م تاريخ الإصدار: 2000/08/02 رقم الملف: (د-م) 2022

اسم الشركة وعنوانها :
شركة اتح تك للتجارة العامة والمقاولات / ذات مسؤولية محدودة

رأس المال: 2000000
الموقع: القطيف
المسارح: عيسى حسين الجوميلي
الاعراض: مكتب تجارة عامة ومقاولات

مواصفة البلدية رقم: 2000/2001 التاريخ: 2000/07/02 رقم السجل التجاري: 228122 التاريخ: 2000/01/29

تنبه على الرخص له إشعار وزارة التجارة و السنامة مدد هم المل او الحقن او بيمه او تعديل نوع التجارة او أي تصرف اخر.

الملاحظات

بموجب طقة الشركة الموثق من كاتب العدل رقم 5928 جلد 2000/08/02



مدير إدارة شركات الأشخاص

وكيل وزارة التجارة و السنامة

1229 م.د
1228

CONTACT US

Block 11, Building 5, Al-Yousifi
Building, 5th Floor, Fahaheel, Kuwait.



(+965) 2391 3877



(+965) 2391 3877 # 120



Info@engtech-kw.com

